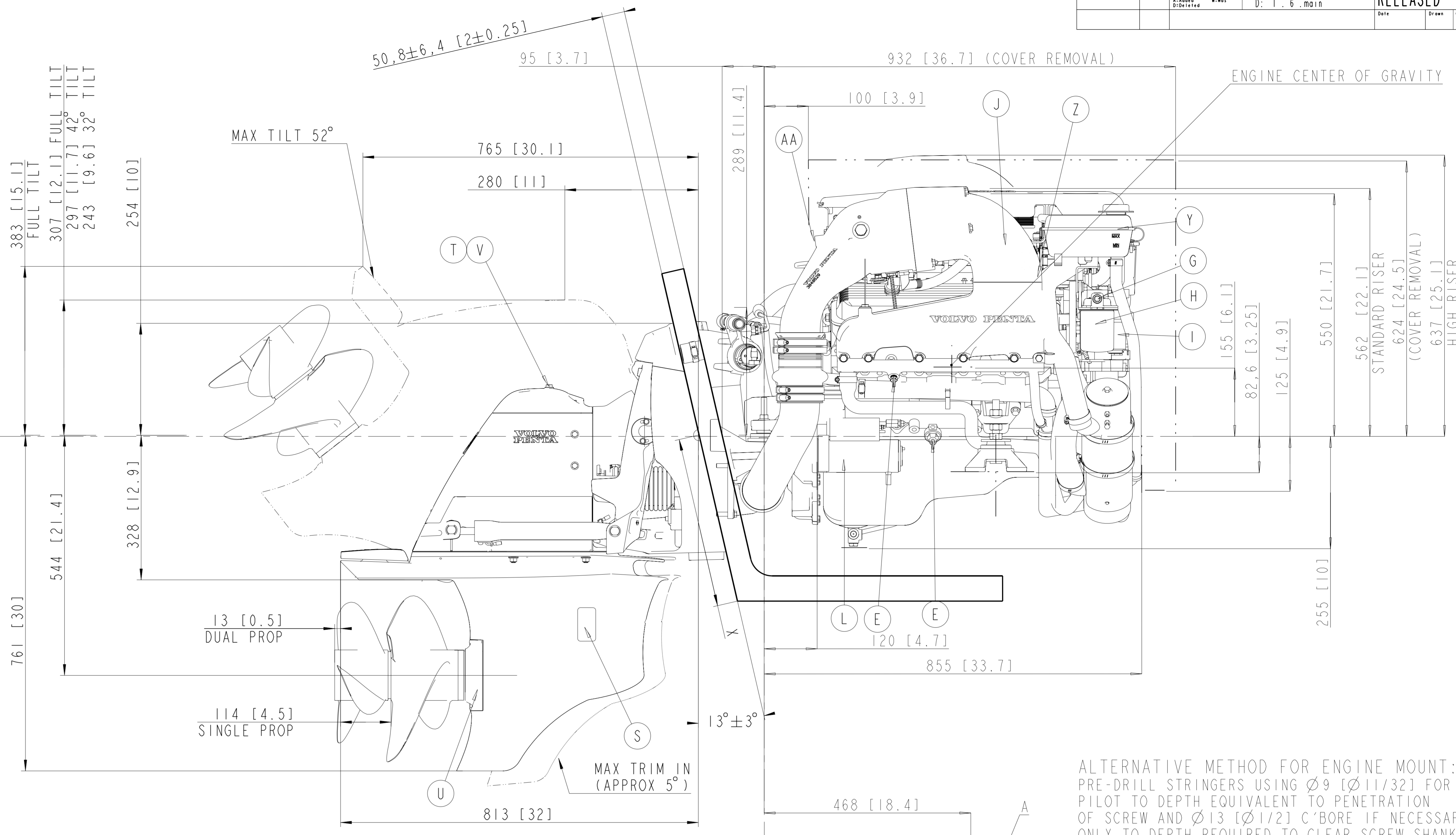
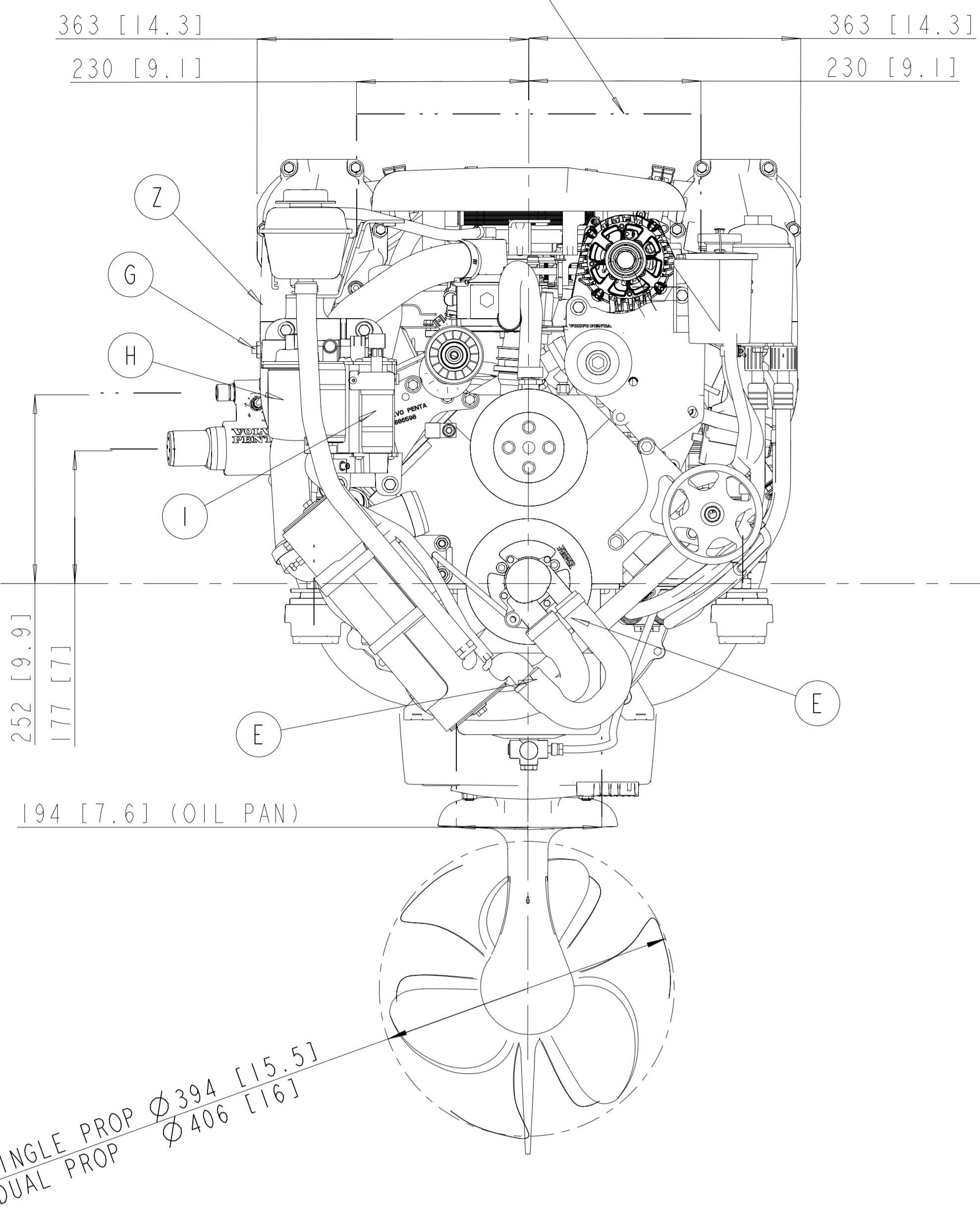


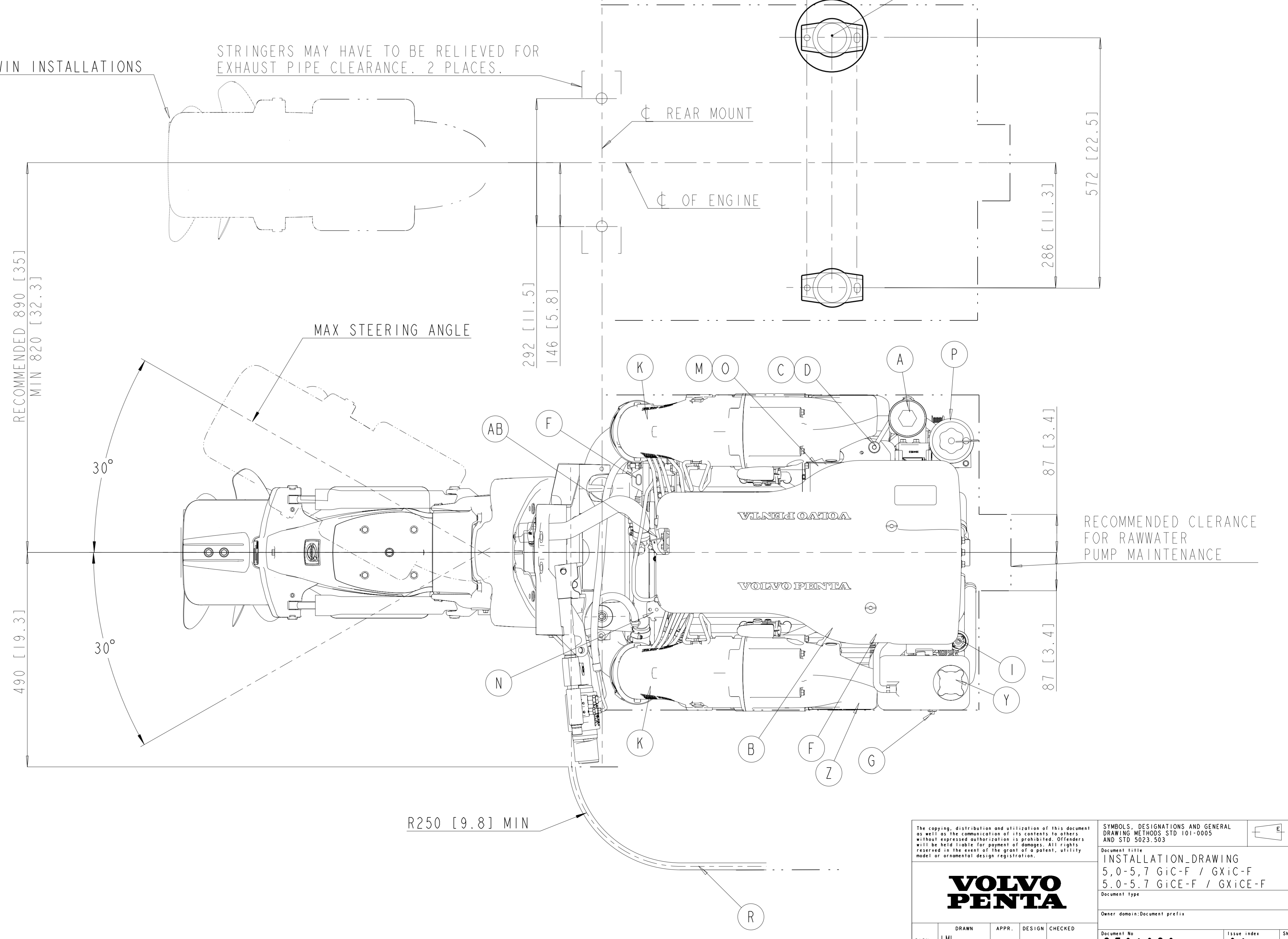
RECOMMENDED CLERANCE FOR COVER REMOVAL AND FUSE PANEL MAINTENANCE



ALTERNATIVE METHOD FOR ENGINE MOUNT:  
 PRE-DRILL STRINGERS USING Ø9 [Ø11/32] FOR PILOT TO DEPTH EQUIVALENT TO PENETRATION OF SCREW AND Ø13 [Ø17/2] C'BORE IF NECESSARY. ONLY TO DEPTH REQUIRED TO CLEAR SCREW SHANK.

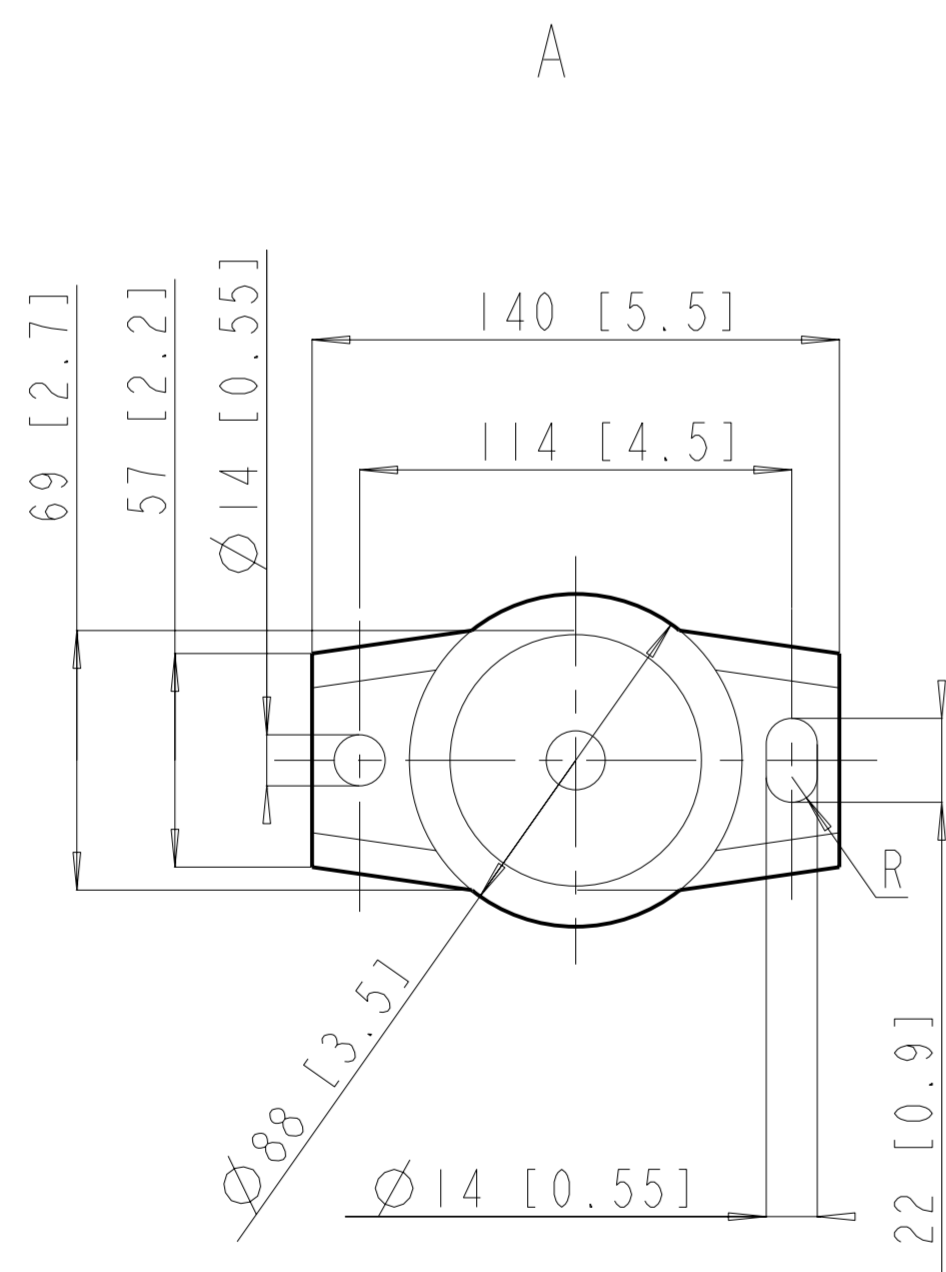
SX NOT APPROVED FOR TWIN INSTALLATIONS

STRINGERS MAY HAVE TO BE RELIEVED FOR EXHAUST PIPE CLEARANCE. 2 PLACES.



RECOMMENDED CLERANCE FOR RAW WATER PUMP MAINTENANCE

LETTER	NAME
A	OIL FILTER, ENGINE
B	OIL FILL, ENGINE
C	OIL DRAIN, ENGINE
D	OIL DIPSTICK, ENGINE
E	WATER DRAIN
F	LIFTING DEVICE
G	FUEL CONNECTION, I.D. 9,5 [3/8] NPT OR 6,35 [1/4] NPT
H	FUEL FILTER
I	ELETRICAL FUEL PUMP
J	THROTTLE CABLE SINGLE
K	WATER COOLED EXHAUST PIPE FOR HOSE I.D. 98,4 [3 7/8"]
L	STARTER MOTOR
M	FUSE PANEL
N	ELETRICAL CONNECTION ENGINE - INSTRUMENT PANEL
O	CIRCUIT BREAKER FOR TRIM PUMP
P	OIL FILL, POWER STEERING
Q	
R	STEERING CABLE
S	WATER INTAKE
T	OIL FILL, OUTBOARD UNIT
U	OIL DRAIN, OUTBOARD UNIT
V	OIL DIPSTICK, OUTBOARD UNIT
W	
X	SEE INSTALATION INSTRUCTIONS
Y	COOLANT FILL AND LEVEL CHECK
Z	ENGINE FLUSH
AA	EXHAUST OVERHEAT SWITCH ENGINE ALARM IN SMALL PARTS KIT
AB	EVC SHIFT CABLE
AC	
AD	
AE	
AF	
AG	
AH	
AI	
AJ	
AK	



The copying, distribution and utilization of this document as well as the construction of its contents to other vessels without expressed permission is prohibited. Offenders will be held liable for payment of damages. All rights reserved in the event of the grant of a patent, utility model or trademark registration.

**VOLVO PENTA**

SYMBOLS, DESIGNATIONS AND GENERAL DRAWING METHODS: STD 101-0005 AND STD 5023-503

Document title: **INSTALLATION\_DRAWING**  
 S.0-S.7 G1C-F / GX1C-F  
 S.0-S.7 G1CE-F / GX1CE-F  
 Document type:

Drawn by: [ ]  
 Date: 2007-06-26

APPR. DESIGN CHECKED

Document No: **3591939**  
 Issue index: **01**  
 Sheet No: [ ]